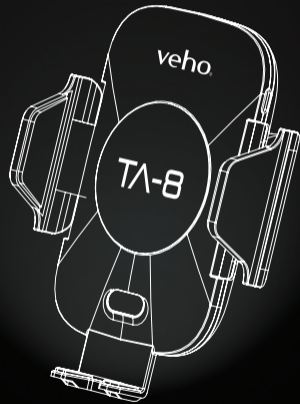


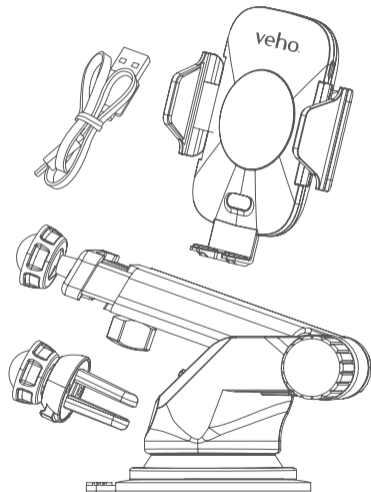
# TA-8

In-Car Wireless Charging Cradle  
with Qi fast charging

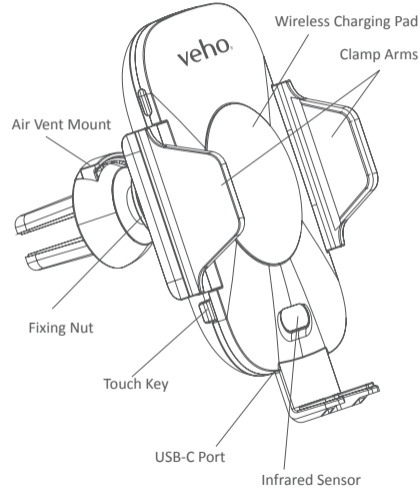


## 1. What's in the box?

TA-8 Wireless Car Charger, USB-C Cable, Windscreen Mount, Air Vent Mount.

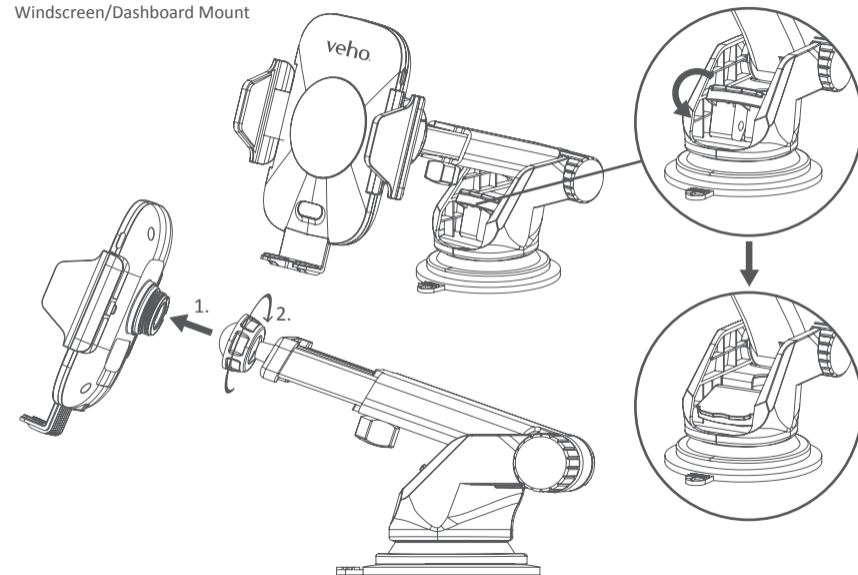


## 2. Guide to the TA-8



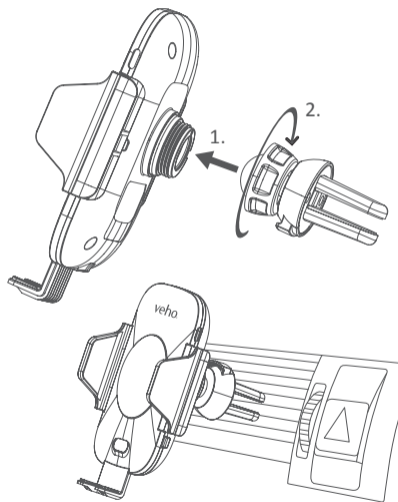
## 3. Mounting option (1)

Windscreen/Dashboard Mount

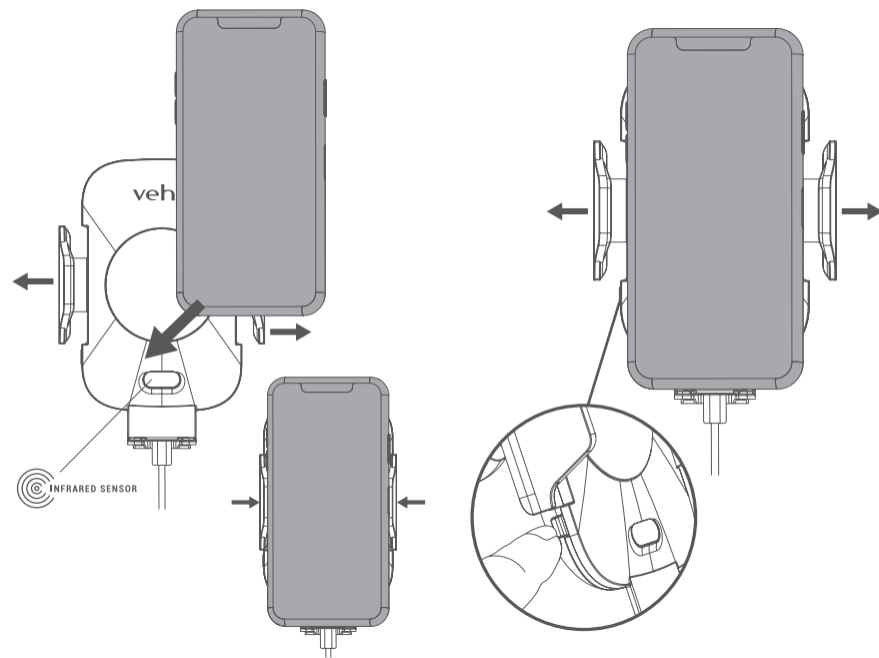
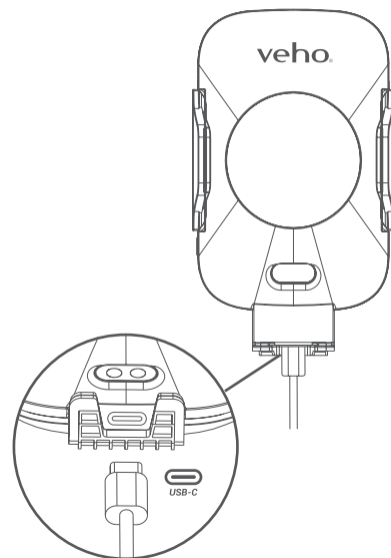


## 4. Mounting option (2)

Air Vent Mount



## 5. Wireless charging



## Indicator lights

<b>Solid blue</b>	Wireless charging device detected and charging
<b>Solid red</b>	Wireless charging device has not been detected
<b>Flashing red</b>	Wireless charging device detected but not charging

## Specifications

<b>Input</b>	5V-2A/ 9V-1.16A
<b>Output</b>	5V- 1.5A/ 9V-1.2A
<b>Charging efficiency</b>	75%

Support / appui / Unterstützung /  
supporto / ayuda / sustentação /  
помогать / サポート / 技术支持

In the event you need to contact Veho for support or  
troubleshooting for your TA-8 Wireless Charger visit

[veho-world.com](http://veho-world.com)

